

Description

The PIR Motion sensor is based on the passive infrared technology. It detects motions as a result in the differences of the surrounding temperatures: if an object with a temperature that is different from that of the surrounding into the detection area, the sensor reacts.

Application

City Lighting:

- All types of outdoor lights
- Garden Lights

Office & Building:

- Lift Lobby
- Staircases
- Basement

Public Lighting:

- Covered Parking Area
- Commercial center areas

Features

- Adjustable measuring time, sensitivity and distance
- Small in size: 11 x 11 x 20mm or 22 x 22 x 25mm
- Low power consumption in operation

Types

PIR-5 ST

- Standard sensor for the installation height up to 6m

PIR-5 HS

- High Sensitivity sensor for the installation height above 6m and up to 12m
- Both PIR-5 has a detection zone of 64 beams

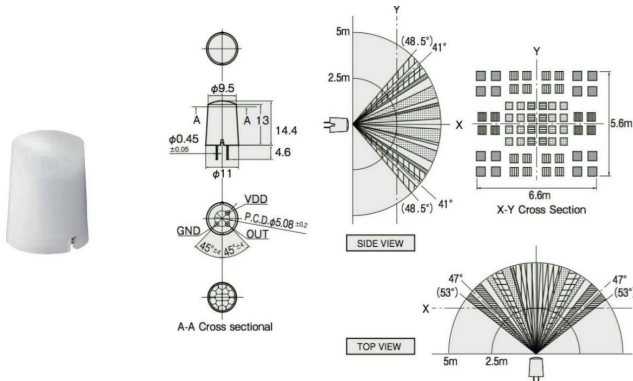
PIR-Pilz

- Detection zone of 92 beams

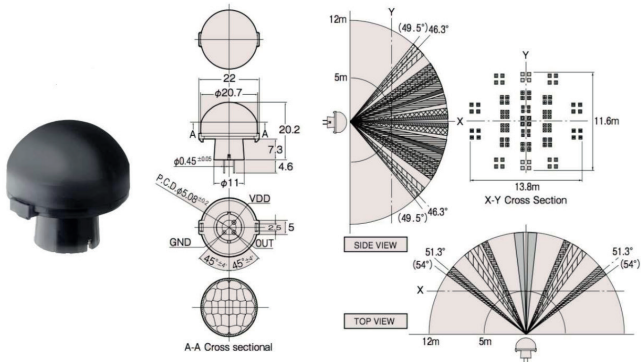


Standard-Angle and Wide-Angle

PIR-5 ST / HS

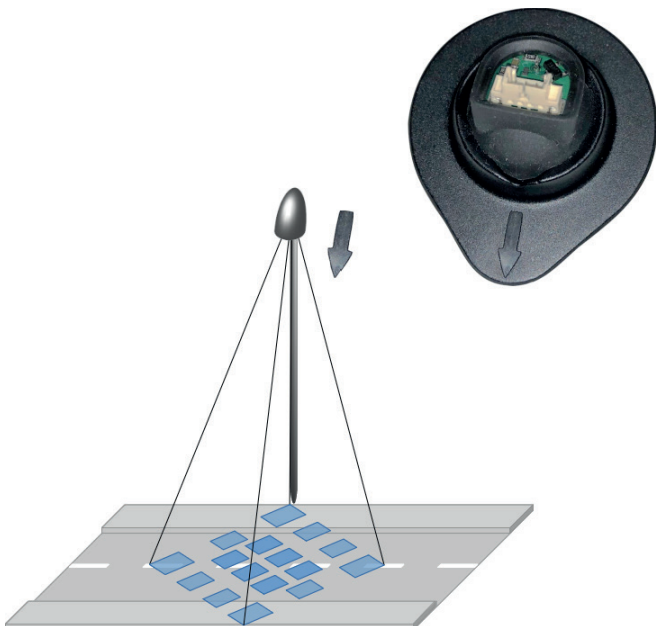


PIR-Pilz



Installation

- Rotate the detection field 45°
- The Arrow of the PIR-5 Sensorholder should point towards the middle of the street
- The PIR adapter allows the tilt of the sensor to align the detection field



Maximum ratings

Parameter	Sym	Min	Max	Unit
Supply Voltage	V_{in}	-0.3	7	V DC
Output Current	$I_{out_{max}}$		200	mA
Operating Temp.	T_A	-20	+60	°C
Storage Temp.	T_S	-20	+70	°C
Humidity Degree	Rh	15	85	%

Operating characteristics

Parameter	Sym	Min	Typ	Max	Unit
Supply Voltage Range	V_{in}	3.0		6.0	V DC
Current consumption	I_{in}		170		μA
Power Up Time	t_{up}		30		S

Article Number

PIR-5 ST / HS

Article No.	Description
800039	PIR-5 ST incl. 50 cm standard cable
800040	PIR-5 ST incl. 12 cm standard cable
800041	PIR-5 ST incl. 50 cm round cable
800042	PIR-5 ST incl. 50 cm double cable
800229	PIR-5 HS incl. 50 cm standard cable
800045	Sensor Holder for PIR 5

PIR-Pilz

Article No.	Description
800043	PIR-Pilz incl. 50 cm standard cable
800044	PIR-Pilz incl. 50 cm round cable